

IRONRIDGE AIRE PHOTOVOLTAIC PANEL RACKING SYSTEM WITH IRONRIDGE FLASHVUE ROOF ATTACHMENTS

GENERAL NOTES:

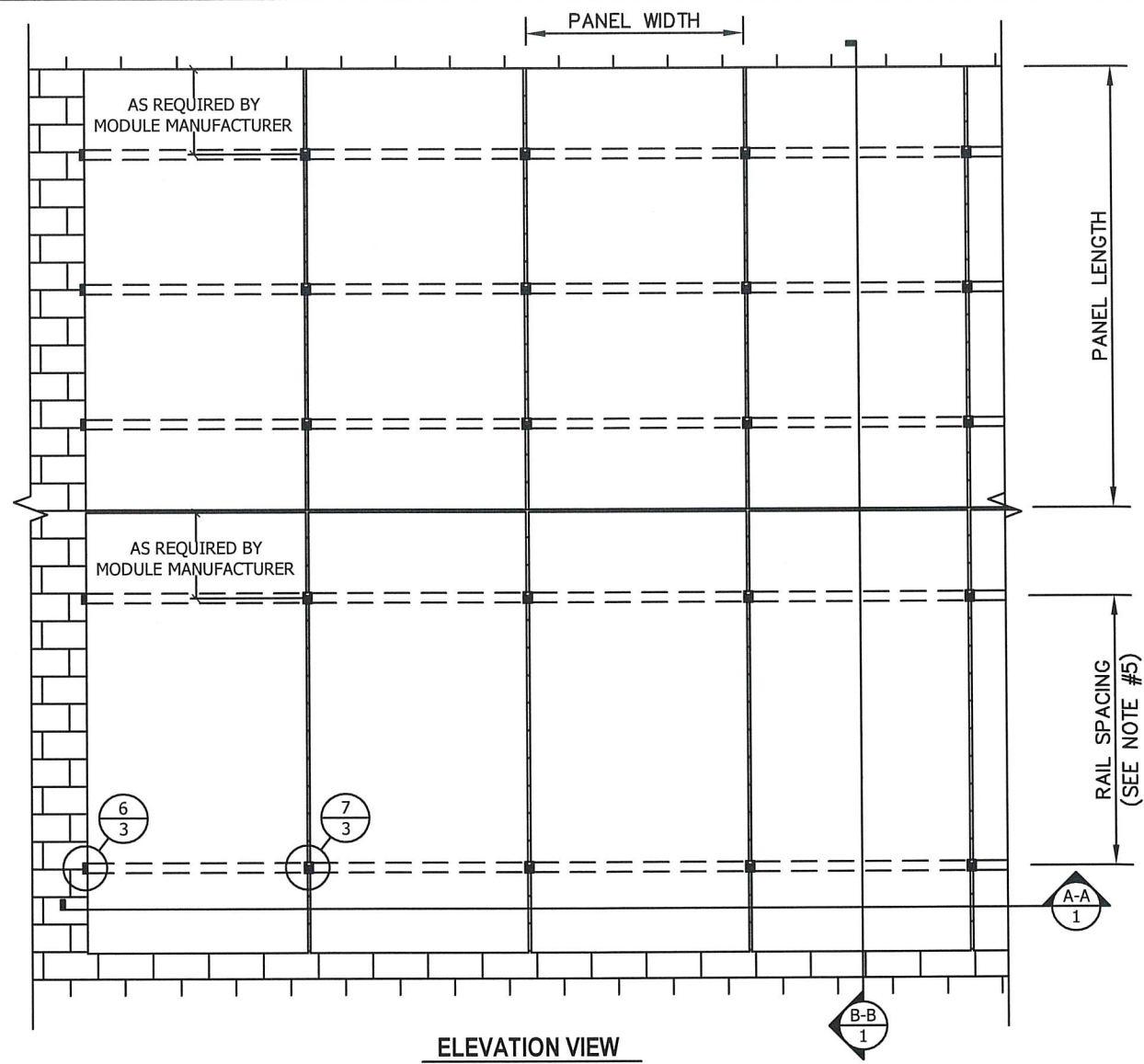
1. THIS SYSTEM MEETS ALL OF THE REQUIREMENTS OF THE 7TH EDITION (2020) FLORIDA BUILDING CODE, INCLUDING THE HVHZ PROVISIONS.
2. THIS SYSTEM HAS BEEN TESTED PER TAS 100(A) AND ASTM D7147. IT IS NOT A PART OF THE BUILDING ENVELOPE, AND IMPACT RESISTANCE IS NOT REQUIRED.
3. THIS SYSTEM SHALL BE INSTALLED PER THE IRONRIDGE AIRE INSTALLATION MANUAL.
4. THE PV PANELS ARE BY OTHERS AND ARE NOT A PART OF THIS APPROVAL.
5. RAIL SPACING TO BE AS SPECIFIED BY THE PV PANEL MANUFACTURER'S INSTALLATION INSTRUCTIONS.
6. THE DESIGN OF THE ROOF SUBSTRATE IS THE RESPONSIBILITY OF THE ENGINEER OF RECORD OR OTHER SPECIALTY ENGINEER, AND IS NOT A PART OF THIS APPROVAL. THE SUBSTRATE MUST SAFELY TRANSMIT THE LOADS APPLIED TO THIS SYSTEM TO THE BUILDING STRUCTURE.
7. FIRE RATINGS OR FIRE RESISTANCE IS NOT A PART OF THIS REVIEW.
8. ALL ANCHORS SECURING THE SYSTEM TO PRESSURE TREATED WOOD SHALL BE CAPABLE OF RESISTING CORROSION CAUSED BY THE CHEMICALS IN THE WOOD.
9. MATERIALS INCLUDING BUT NOT LIMITED TO STEEL/METAL SCREWS THAT COME INTO CONTACT WITH OTHER DISSIMILAR MATERIALS SHALL BE PROTECTED PER FBC REQUIREMENTS.
10. NO INCREASE IN ALLOWABLE STRESS HAS BEEN USED IN THE DESIGN OF THIS PRODUCT. Cd=1.6 WAS USED FOR WOOD SCREWS ONLY.

WINDLOAD NOTES:

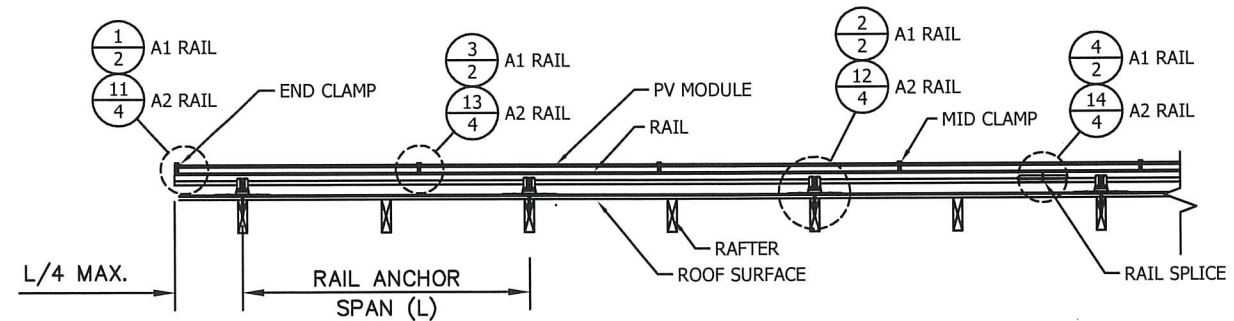
1. DESIGN WINDLOADS MUST BE CALCULATED BY A LICENSED PROFESSIONAL ENGINEER OR ARCHITECT FOR EACH PROJECT, PER ASCE 7-16 SECTION 29.4.4. DESIGN WINDLOADS MAY NOT EXCEED THE ALLOWABLE WINDLOADS SHOWN IN THE CHARTS ON THIS SHEET OR SHEET 8.
2. PANEL SYSTEM LOCATION, HEIGHT, AND SPACING MUST MEET THE REQUIREMENTS OF ASCE 7-16 SECTION 29.4.4. WINDLOADS ACT NORMAL TO THE SURFACE OF THE PV PANEL SYSTEM.
3. OTHER CONFIGURATIONS REQUIRE PROJECT SPECIFIC ANALYSIS BY A LICENSED PROFESSIONAL ENGINEER OR ARCHITECT.
4. ALLOWABLE WINDLOADS BELOW ARE BASED ON ANCHORING IN WOOD RAFTERS WITH S.G.=0.50 MIN. SEE SHEET 8 FOR ALLOWABLE LOADS BASED ON RAFTERS WITH OTHER SPECIFIC GRAVITY VALUES.

THREE RAIL SYSTEM:

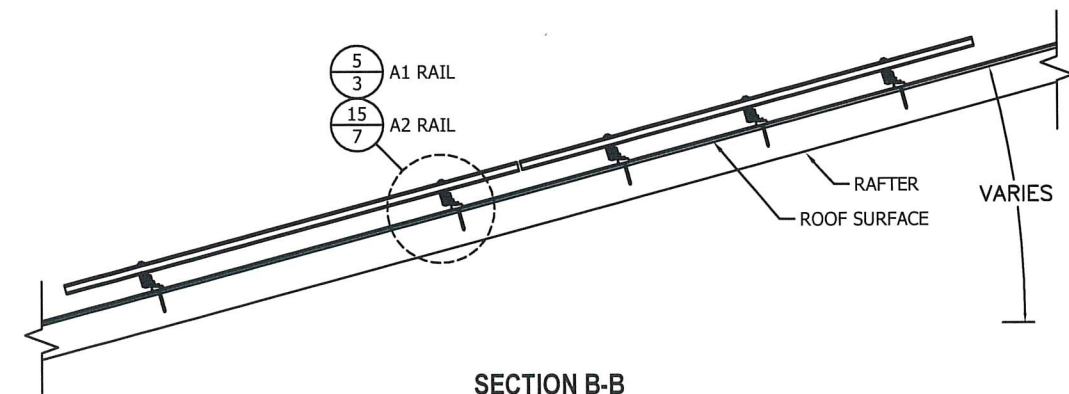
TWO RAIL SYSTEM:



ELEVATION VIEW



SECTION A-A



SECTION B-B

ALLOWABLE WINDLOADS

TWO RAIL SYSTEM					THREE RAIL SYSTEM				
PANEL WIDTH (in)	PANEL LENGTH (in)	ANCHOR SPAN (L) (in)	A1 RAIL (+/- psf)	A2 RAIL (+/- psf)	PANEL WIDTH (in)	PANEL LENGTH (in)	ANCHOR SPAN (L) (in)	A1 RAIL (+/- psf)	A2 RAIL (+/- psf)
45	67 1/2	16	115.6	115.6	45	67 1/2	16	173.4	173.4
		24	89.1	115.6			24	133.7	173.4
		32	79.6	115.6			32	119.4	173.4
		36	78.2	110.1			36	117.3	165.1
		48	64.5	103.2			48	96.8	154.8
		64	39.3	66.4			64	59.0	99.6
		72	31.3	54.0			72	47.0	81.0
	80	16	97.5	97.5		80	16	146.3	146.3
		24	75.2	97.5			24	112.8	146.3
		32	67.2	97.5			32	100.8	146.3
		36	66.0	92.9			36	99.0	139.3
		48	54.4	87.1			48	81.6	130.6
		64	33.2	56.0			64	49.8	84.0
		72	26.4	45.6			72	39.6	68.4
	86	16	90.7	90.7		86	16	136.1	136.1
		24	70.0	90.7			24	105.0	136.1
		32	62.5	90.7			32	93.8	136.1
		36	61.4	86.4			36	92.1	129.6
		48	50.6	81.0			48	75.9	121.5
		64	30.9	52.1			64	46.4	78.2
		72	24.5	42.4			72	36.8	63.6
92 1/2	16	84.3	84.3	92 1/2	16	126.5	126.5		
	24	65.0	84.3		24	97.5	126.5		
	32	58.1	84.3		32	87.2	126.5		
	36	57.1	80.3		36	85.7	120.5		
	48	47.0	75.3		48	70.5	113.0		
	64	28.7	48.4		64	43.1	72.6		
	72	22.8	39.4		72	34.2	59.1		
LANDSCAPE LAYOUT:									
45	92 1/2	16	84.3	84.3	45	92 1/2	16	126.5	126.5
		24	71.2	84.3			24	106.8	126.5
		32	55.3	84.3			32	83.0	126.5
		36	48.4	80.3			36	72.7	120.5
		48	32.2	54.6			48	48.3	81.9
		64	28.4	48.4			64	42.6	72.6
		72	27.7	48.4			72	41.6	72.6

SCOTT WOLTERS
FL PE# 62354

WOLTERS ENGINEERING
(COA# 27194)
15211 97TH ROAD N
WEST PALM BEACH, FL 33412
(561) 225-1962

STATE OF FLORIDA
PROFESSIONAL ENGINEER
DEC 30 2021

12/30/22 DATE
REV.#
1ST SUBMITTAL
PRINTS ISSUED FOR

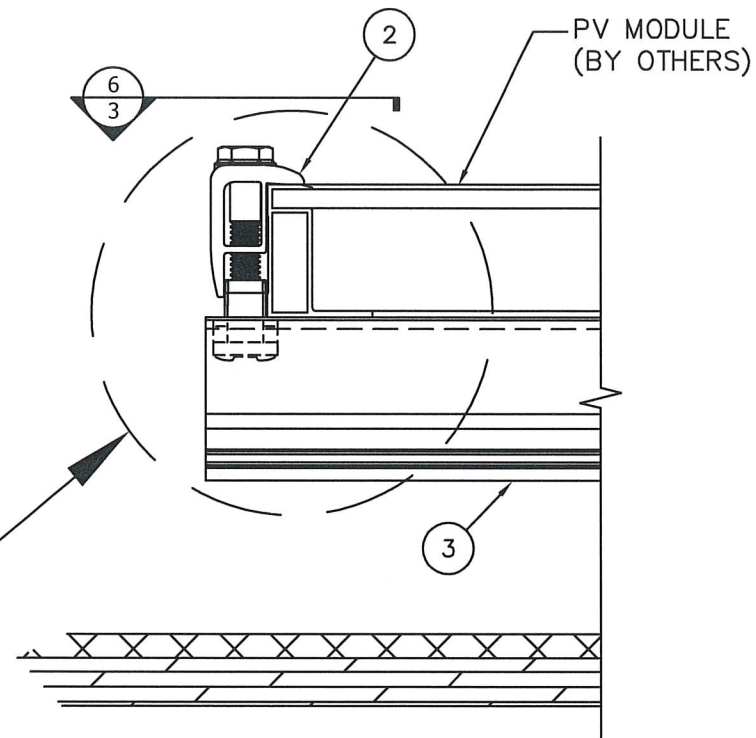
IRONRIDGE

PHONE: (800) 227-9523
info@ironridge.com

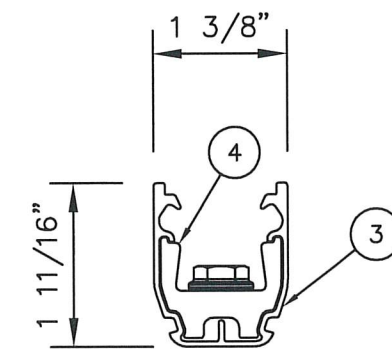
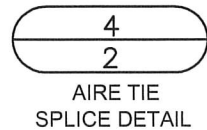
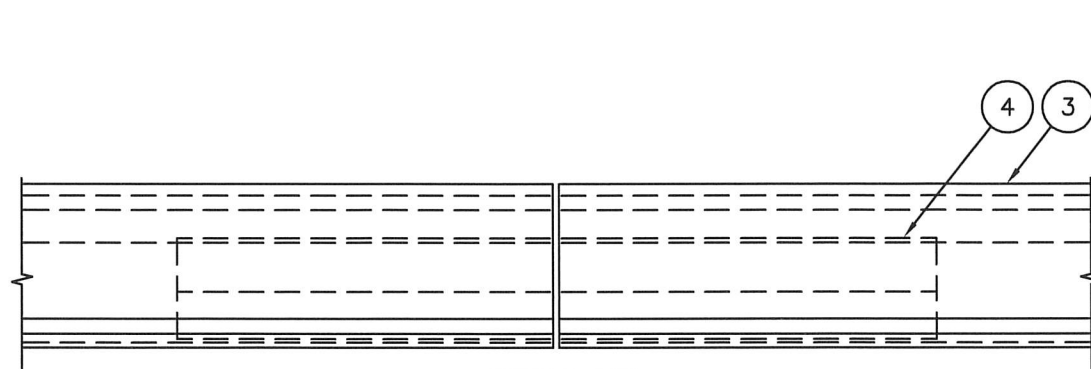
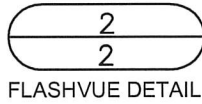
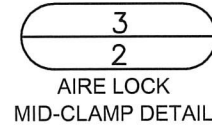
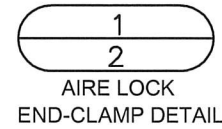
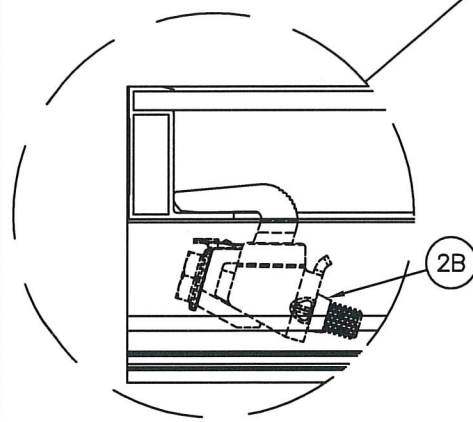
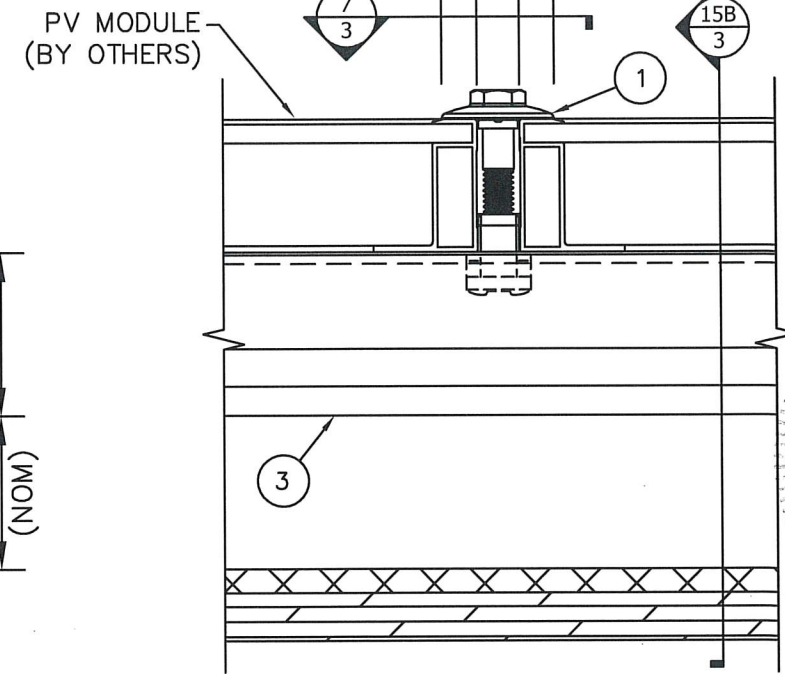
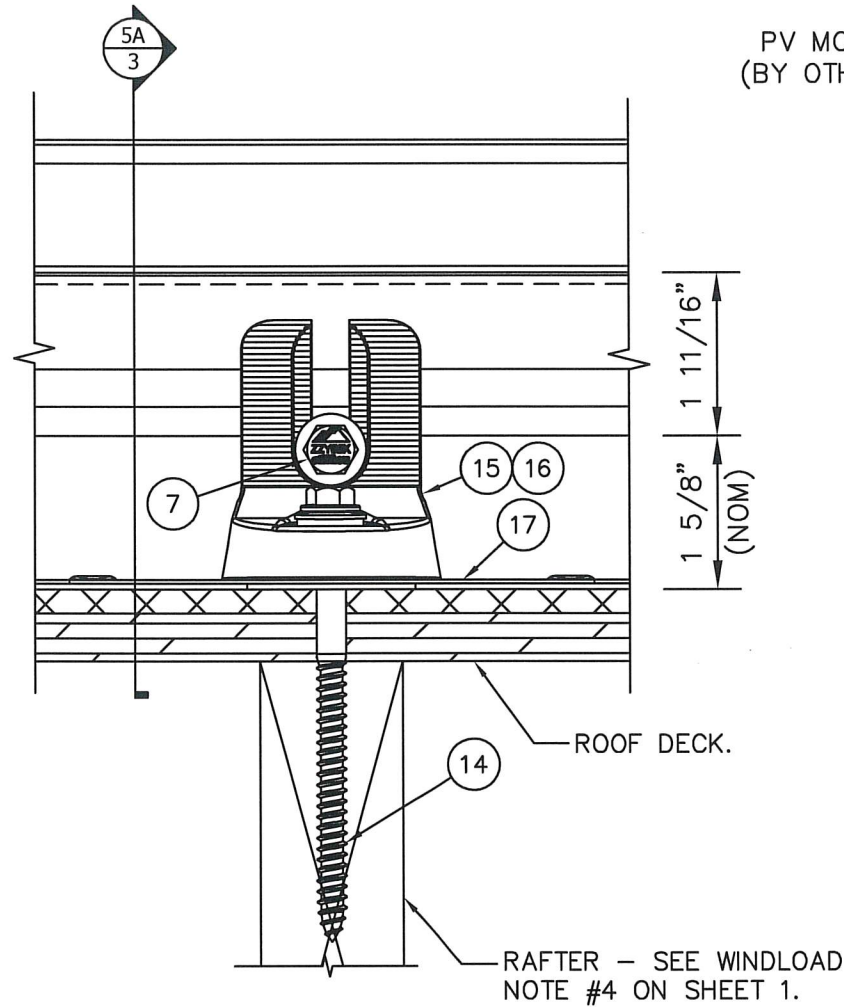
28357 INDUSTRIAL BLVD.
HAYWARD, CA 94545

DWG: AIRE-FV
SHEET: 1/11

**IRONRIDGE AIRE PHOTOVOLTAIC PANEL RACKING SYSTEM
WITH IRONRIDGE FLASHVUE ROOF ATTACHMENTS**



FLASHVUE ANCHOR SHOWN.
FLASHVUE PLUS IS SIMILAR.



SPLICE MAY NOT BE
LOCATED IN A CANTILEVER.

1B
2
ALTERNATE AIRE LOCK
STEALTH END-CLAMP DETAIL

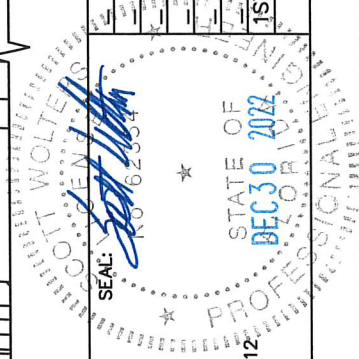
1
2
AIRE LOCK
END-CLAMP DETAIL

3
2
AIRE LOCK
MID-CLAMP DETAIL

2
2
FLASHVUE DETAIL

4
2
AIRE TIE
SPLICE DETAIL

DATE	12/30/22
REV.#	
PRINTS ISSUED FOR	
1ST SUBMITTAL	

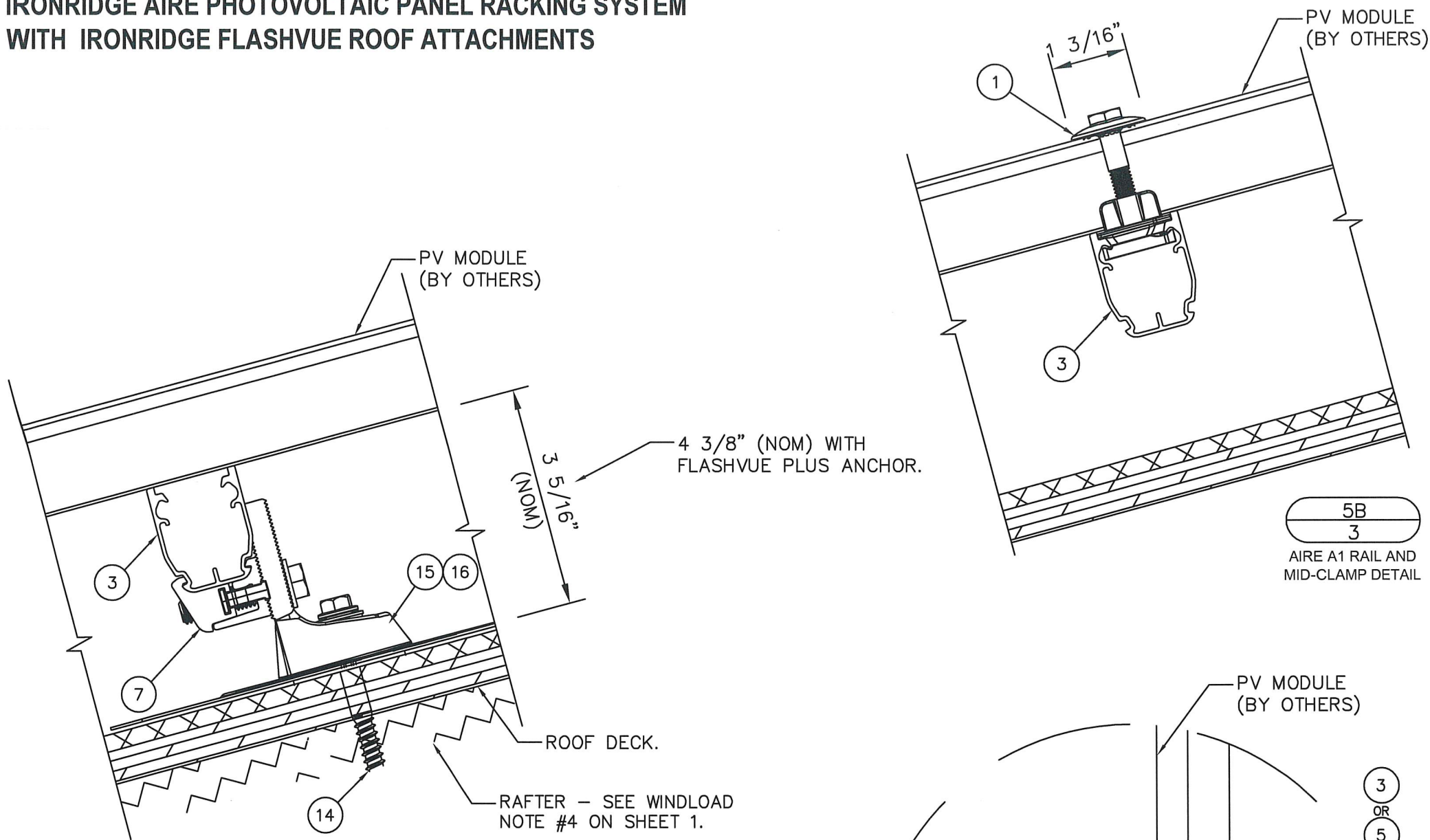


SCOTT WALTERS
FL PE# 62354
WALTERS ENGINEERING
(COA# 27194)
15211 97TH ROAD N
WEST PALM BEACH, FL 33412
(561) 225-1982

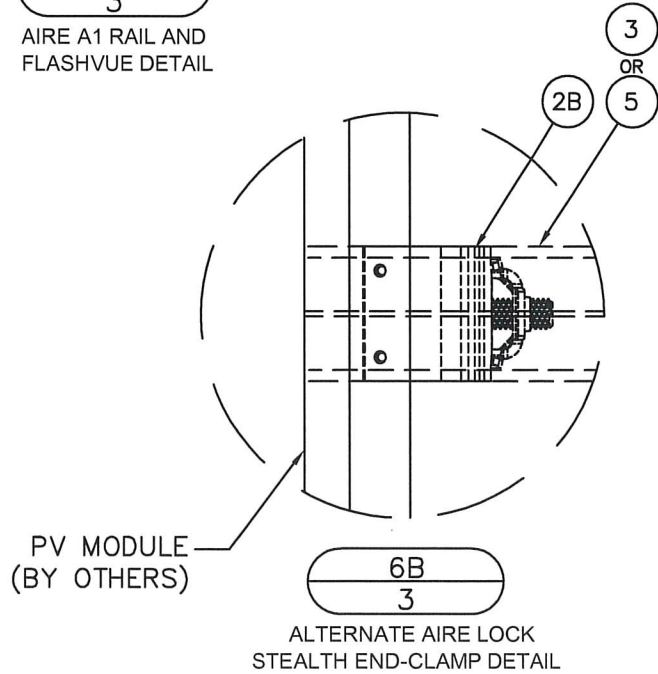
IRONRIDGE
28357 INDUSTRIAL BLVD.
HAYWARD, CA 94545
PHONE: (800) 227-9523
info@ironridge.com

DWG: **AIRE-FV**
SHEET: **2/11**

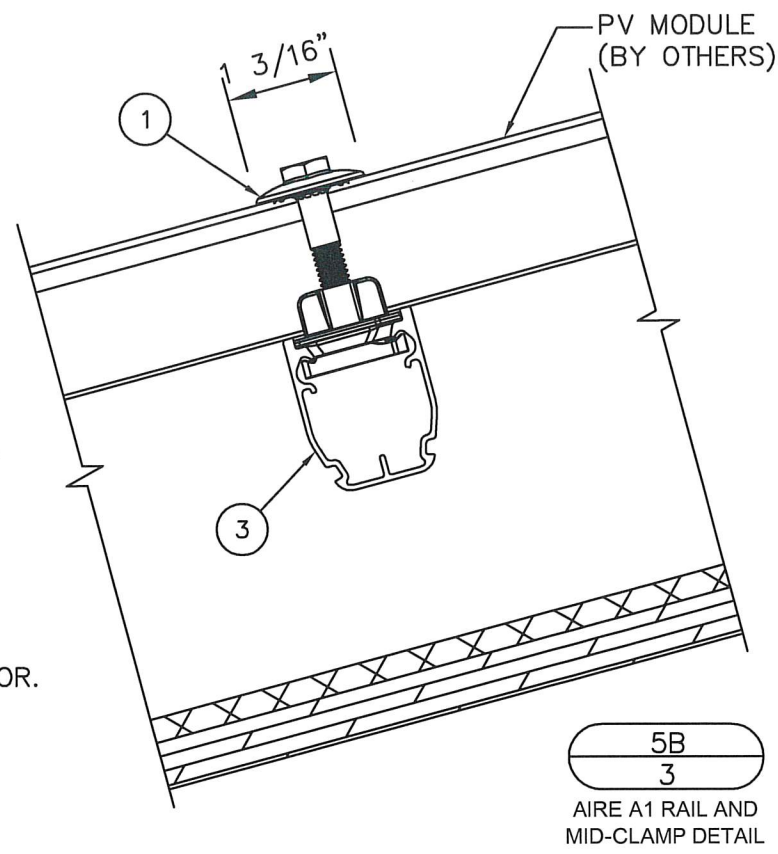
**IRONRIDGE AIRE PHOTOVOLTAIC PANEL RACKING SYSTEM
WITH IRONRIDGE FLASHVUE ROOF ATTACHMENTS**



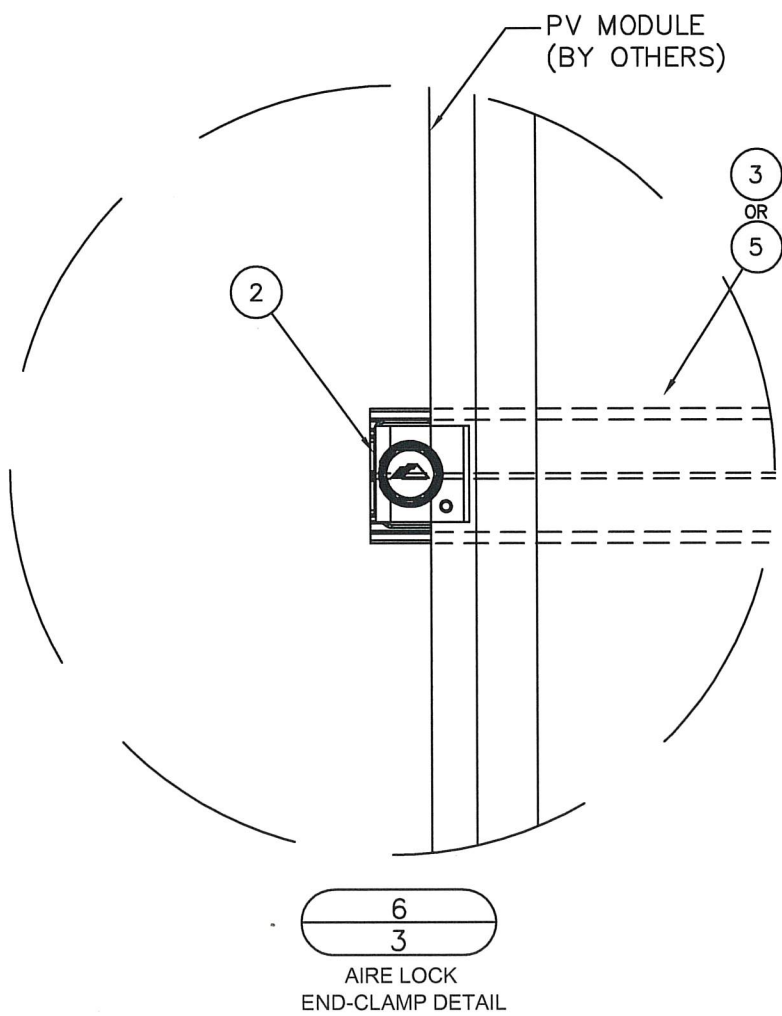
5A
3
AIRE A1 RAIL AND
FLASHVUE DETAIL



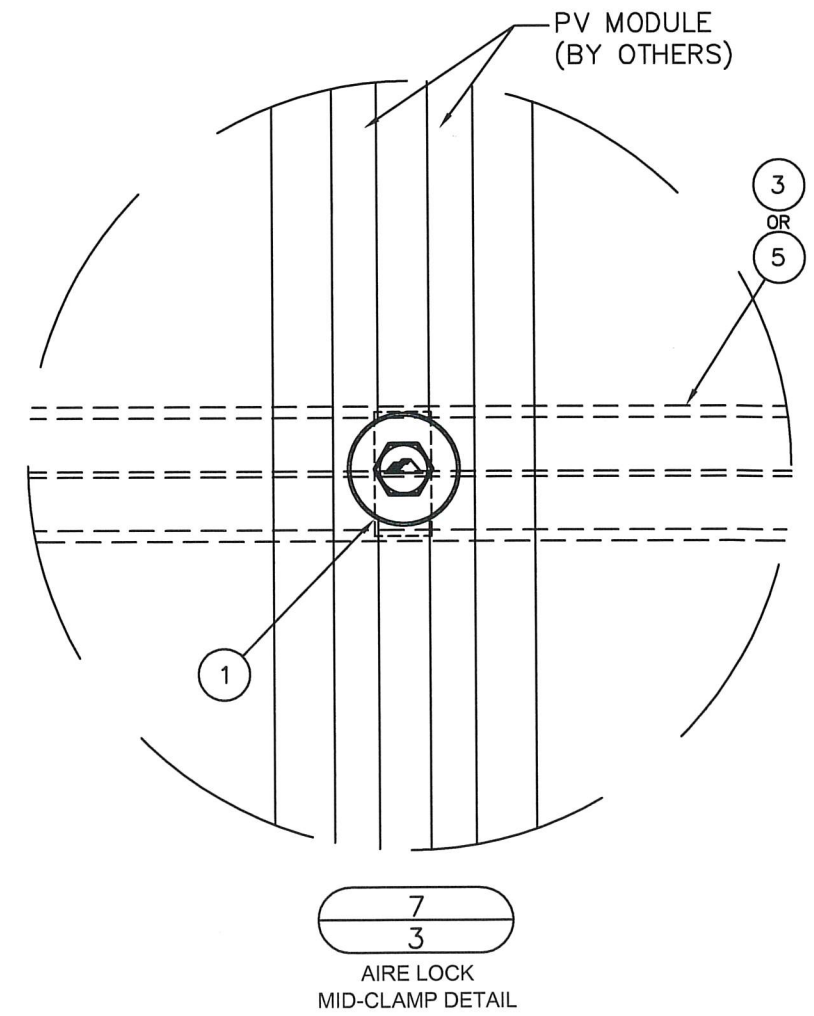
6B
3
ALTERNATE AIRE LOCK
STEALTH END-CLAMP DETAIL



5B
3
AIRE A1 RAIL AND
MID-CLAMP DETAIL

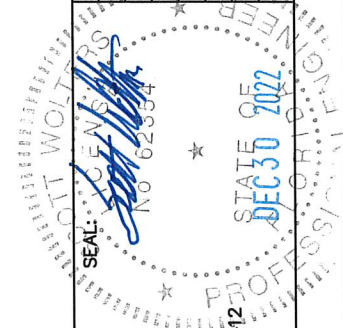


6
3
AIRE LOCK
END-CLAMP DETAIL



7
3
AIRE LOCK
MID-CLAMP DETAIL

DATE	12/30/22
REV.#	
PRINTS ISSUED FOR	
IST SUBMITTAL	



SCOTT WOLTERS
FL PE# 62354
WOLTERS ENGINEERING
(COA# 27194)
15211 97TH ROAD N
WEST PALM BEACH, FL 33412
(561) 225-1982



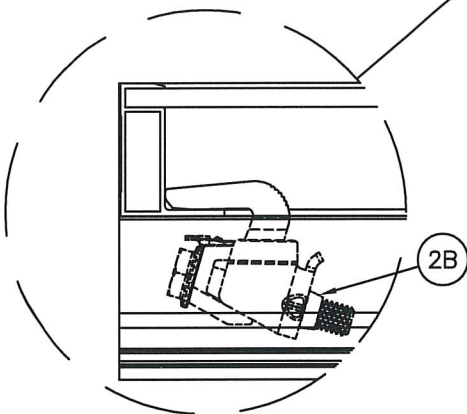
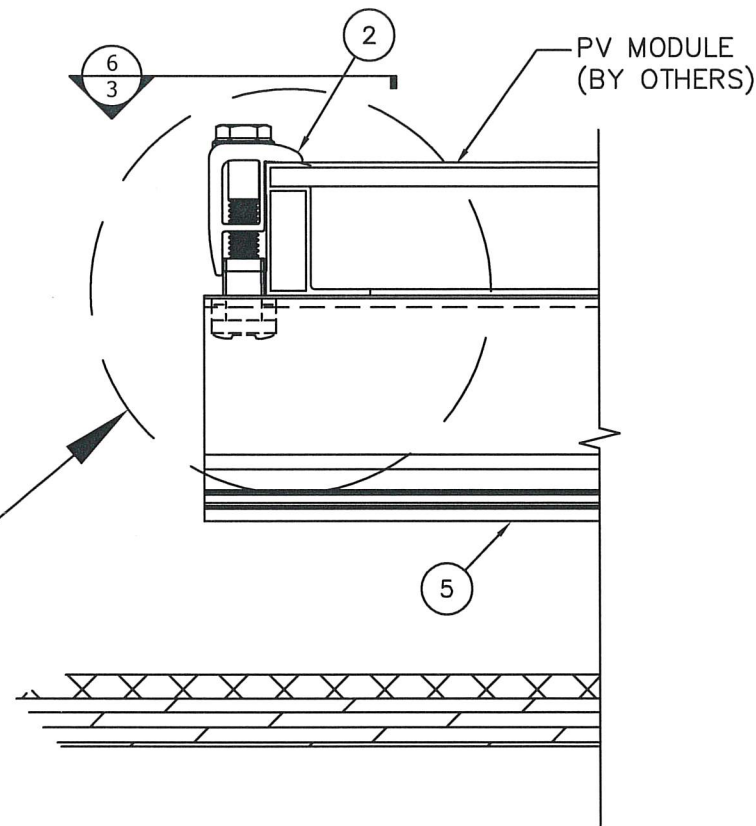
PHONE: (800) 227-9523
info@ironridge.com

28357 INDUSTRIAL BLVD.
HAYWARD, CA 94545

DWG: **AIRE-FV**
SHEET: **3/11**

**IRONRIDGE AIRE PHOTOVOLTAIC PANEL RACKING SYSTEM
WITH IRONRIDGE FLASHVUE ROOF ATTACHMENTS**

FLASHVUE ANCHOR SHOWN.
FLASHVUE PLUS IS SIMILAR.

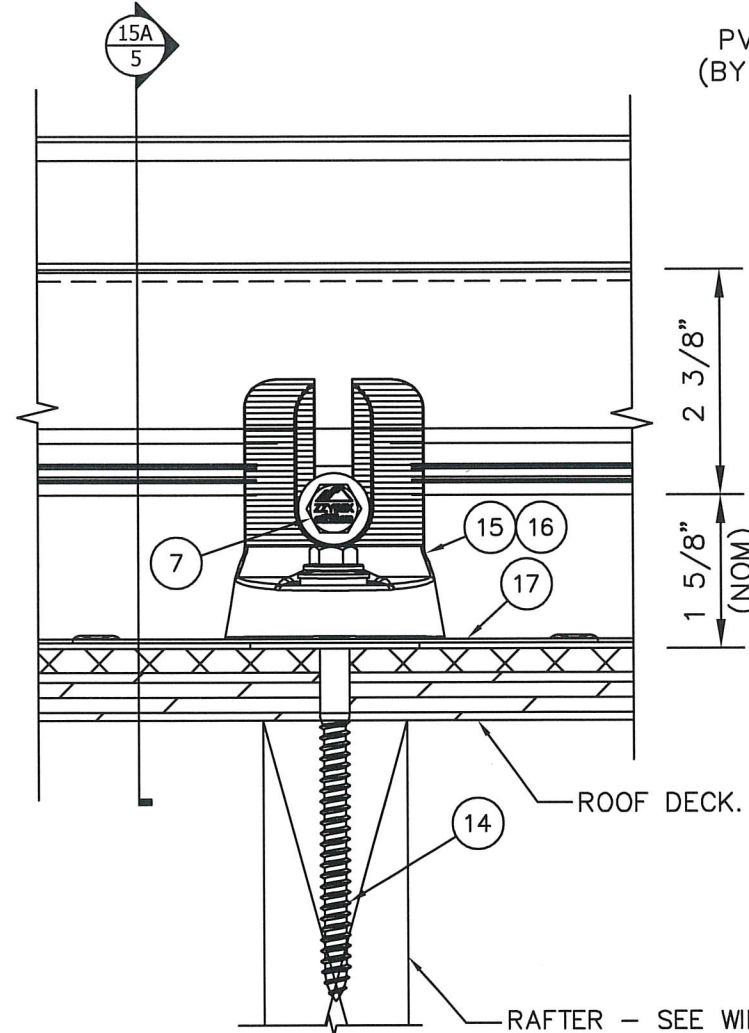


11B
2

ALTERNATE AIRE LOCK
STEALTH END-CLAMP DETAIL

11
4

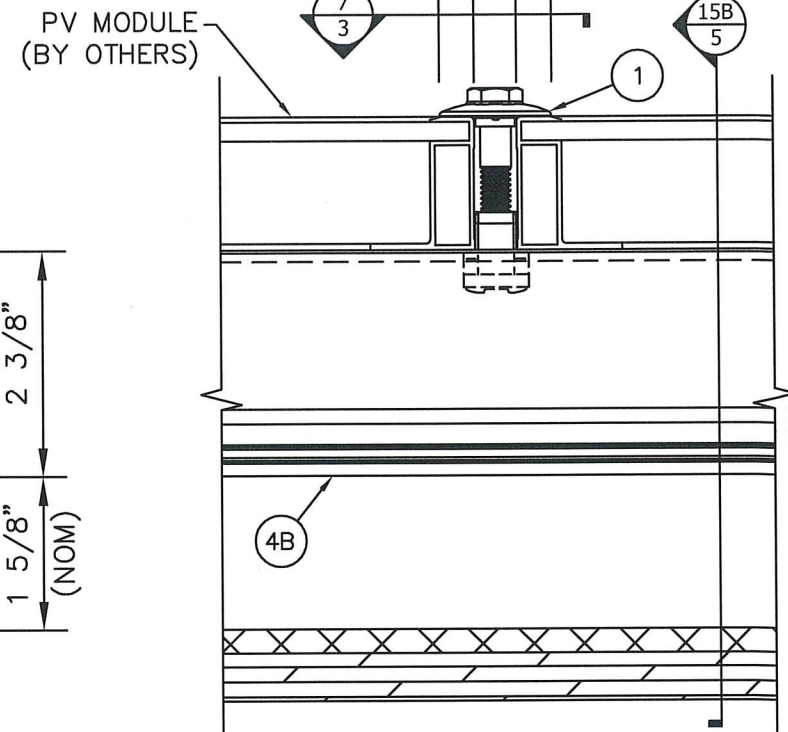
AIRE LOCK
END-CLAMP DETAIL



12
4

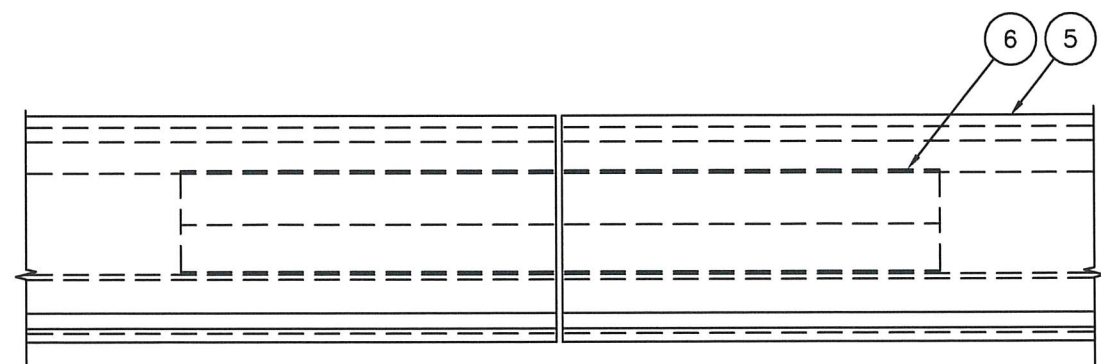
FLASHVUE DETAIL

RAFTER — SEE WINDLOAD
NOTE #4 ON SHEET 1.



13
4

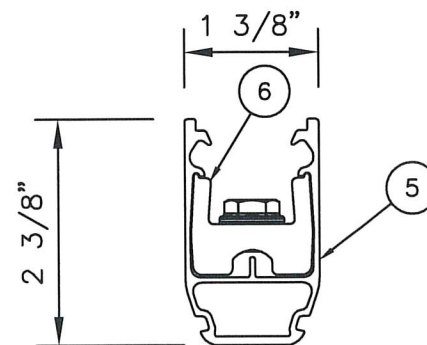
AIRE LOCK
MID-CLAMP DETAIL



14
4

AIRE TIE
SPLICE DETAIL

SPLICE MAY NOT BE
LOCATED IN A CANTILEVER.



DATE	12/30/22
REV.#	
PRINTS ISSUED FOR	
1ST SUBMITTAL	

SCOTT WOLTERS
FL PE# 62354

WOLTERS ENGINEERING
(COA# 27194)
15211 97TH ROAD N
WEST PALM BEACH, FL 33412
(561) 225-1982

STATE OF FLORIDA
PROFESSIONAL ENGINEER
SCOTT WOLTERS
NO. 62354
DEC 30 2022

IRONRIDGE

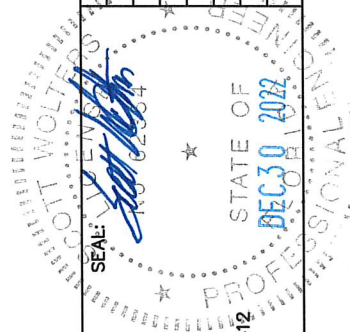
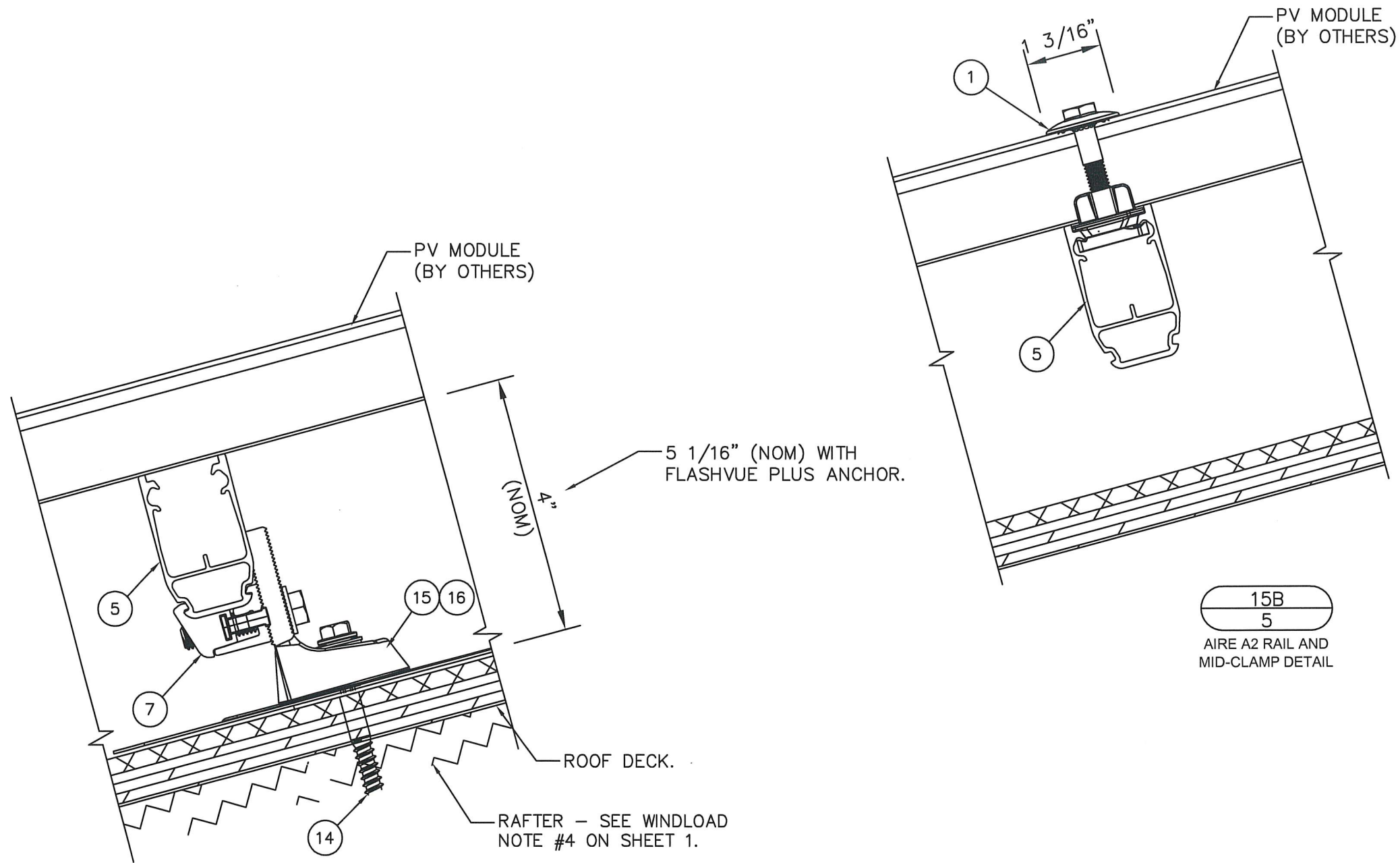
28357 INDUSTRIAL BLVD.
HAYWARD, CA 94545

PHONE: (800) 227-9523
info@ironridge.com

DWG: **AIRE-FV**

SHEET: **4/11**

**IRONRIDGE AIRE PHOTOVOLTAIC PANEL RACKING SYSTEM
WITH IRONRIDGE FLASHVUE ROOF ATTACHMENTS**



SCOTT WOLTERS
FL PE# 62354
WOLTERS ENGINEERING
(COA# 27194)
15211 97TH ROAD N
WEST PALM BEACH, FL 33412
(561) 225-1982

IRONRIDGE
28357 INDUSTRIAL BLVD.
HAYWARD, CA 94545
PHONE: (800) 227-9523
info@ironridge.com

DWG: **AIRE-FV**
SHEET: **5/11**

REV.#	DATE
1	12/30/22
2	
3	
4	
5	
6	
7	
8	
9	
10	
11	
12	
13	
14	
15	
16	
17	
18	
19	
20	
21	
22	
23	
24	
25	
26	
27	
28	
29	
30	
31	
32	
33	
34	
35	
36	
37	
38	
39	
40	
41	
42	
43	
44	
45	
46	
47	
48	
49	
50	

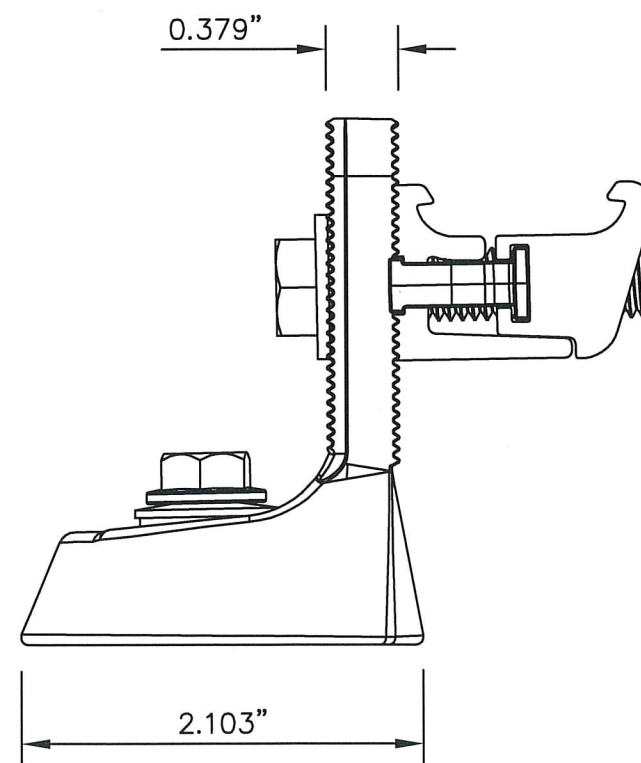
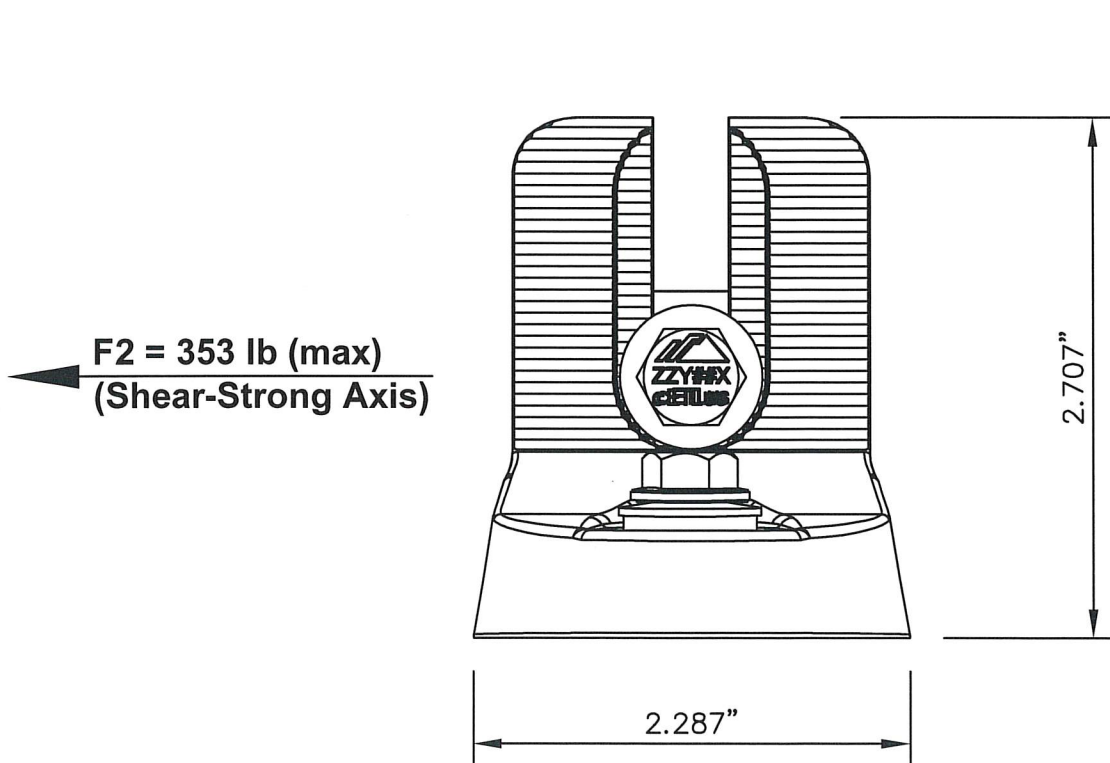
IRONRIDGE AIRE PHOTOVOLTAIC PANEL RACKING SYSTEM WITH IRONRIDGE FLASHVUE ROOF ATTACHMENTS

BILL OF MATERIALS- FlashVue		
#	DESCRIPTION	MATERIALS/NOTES
14	5/16" X 4" HWH LAG SCREW WITH EPDM WASHER	300 SERIES SS & EPDM
15	GRIPCAP, MILL OR BLACK	A300 SERIES AL
16	GRIPCAP PLUS, BLACK	A300 SERIES AL
17	FM FLASHING, MILL OR BLACK	6000 SERIES AL

ALLOWABLE UPLIFT FOR FLASHVUE ANCHOR BASED ON RAFTER SPECIFIC GRAVITY	
WOOD SPECIFIC GRAVITY	ALLOWABLE UPLIFT CAPACITY (lb)
0.42	894
0.43	926
0.46	1025
0.5	1161

SEE CHART ON SHEET 8 FOR ALLOWABLE WINDLOADS BASED ON RAFTER SPECIFIC GRAVITY.

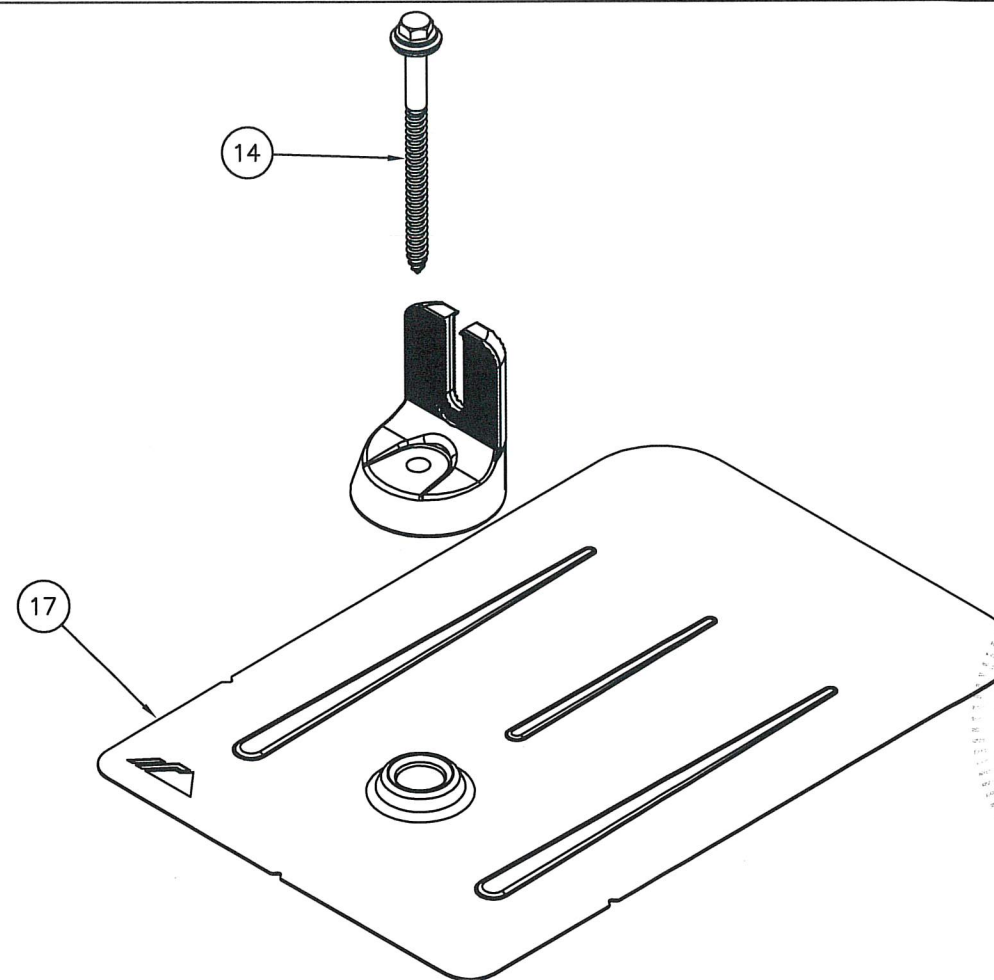
Direct Tension/Uplift
(See Chart)



F3 = 304 lb (max)
(Shear-Weak Axis)

ANCHOR NOTES:

- CAPACITIES APPLY TO RAFTER SIZER OF 2x4 OR GREATER, DECK THICKNESS OF 15/32" OR GREATER, AND LAG BOLTS SECURED WITHIN THE CENTER 1/3 OF RAFTER WITH 2 1/2" MIN. END DISTANCE.
- SHEAR VALUES ARE THE SAME FOR ALL SPECIFIC GRAVITY VALUES LISTED IN THE CHART.



12/30/22	DATE
1	REV #
1ST SUBMITTAL	PRINTS ISSUED FOR

SEAL: [Signature] No. 62354
 STATE OF FLORIDA
 PROFESSIONAL ENGINEER
 DEC 30 2022

SCOTT WOLTERS
 FL PE# 62354
 WOLTERS ENGINEERING
 (COA# 27194)
 15211 97TH ROAD N
 WEST PALM BEACH, FL 33412
 (561) 225-1982

IRONRIDGE

PHONE: (800) 227-9523
 info@ironridge.com

28357 INDUSTRIAL BLVD.
 HAYWARD, CA 94545

DWG: **AIRE-FV**
 SHEET: **6/11**

15

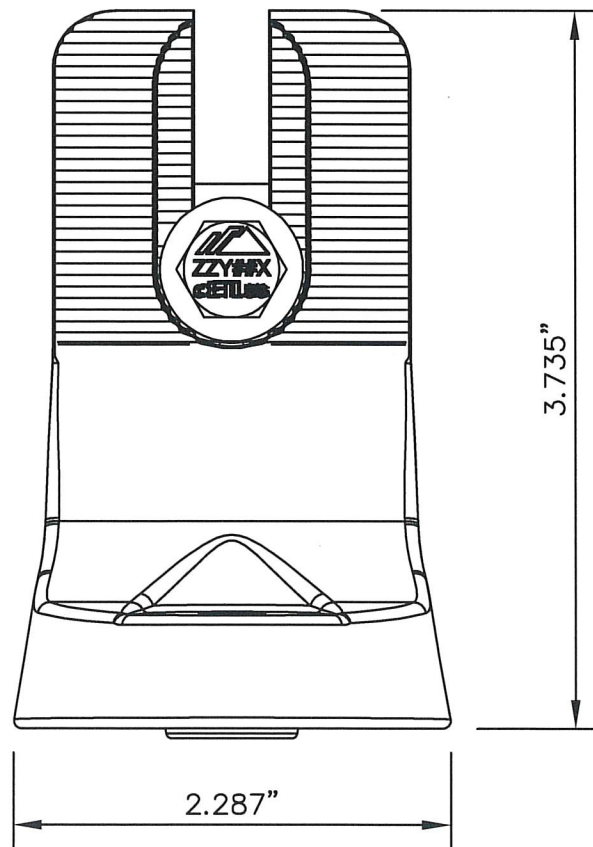
**IRONRIDGE AIRE PHOTOVOLTAIC PANEL RACKING SYSTEM
WITH IRONRIDGE FLASHVUE ROOF ATTACHMENTS**

ALLOWABLE UPLIFT FOR FLASHVUE ANCHOR BASED ON RAFTER SPECIFIC GRAVITY	
WOOD SPECIFIC GRAVITY	ALLOWABLE UPLIFT CAPACITY (lb)
0.42	894
0.43	926
0.46	1025
0.5	1161

SEE CHART ON SHEET 8 FOR ALLOWABLE WINDLOADS BASED ON RAFTER SPECIFIC GRAVITY.

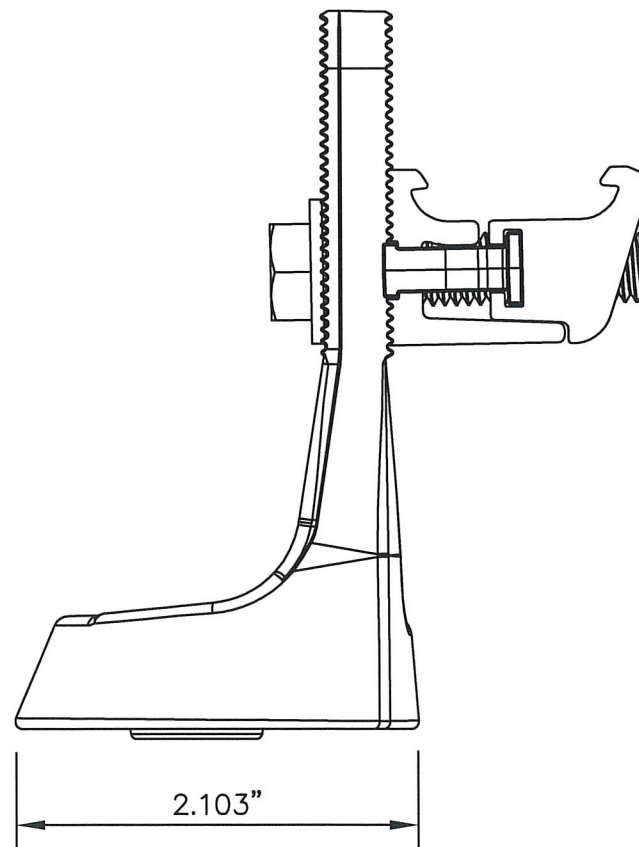
Direct Tension/Uplift
(See Chart)

F2 = 353 lb (max)
(Shear-Strong Axis)



16

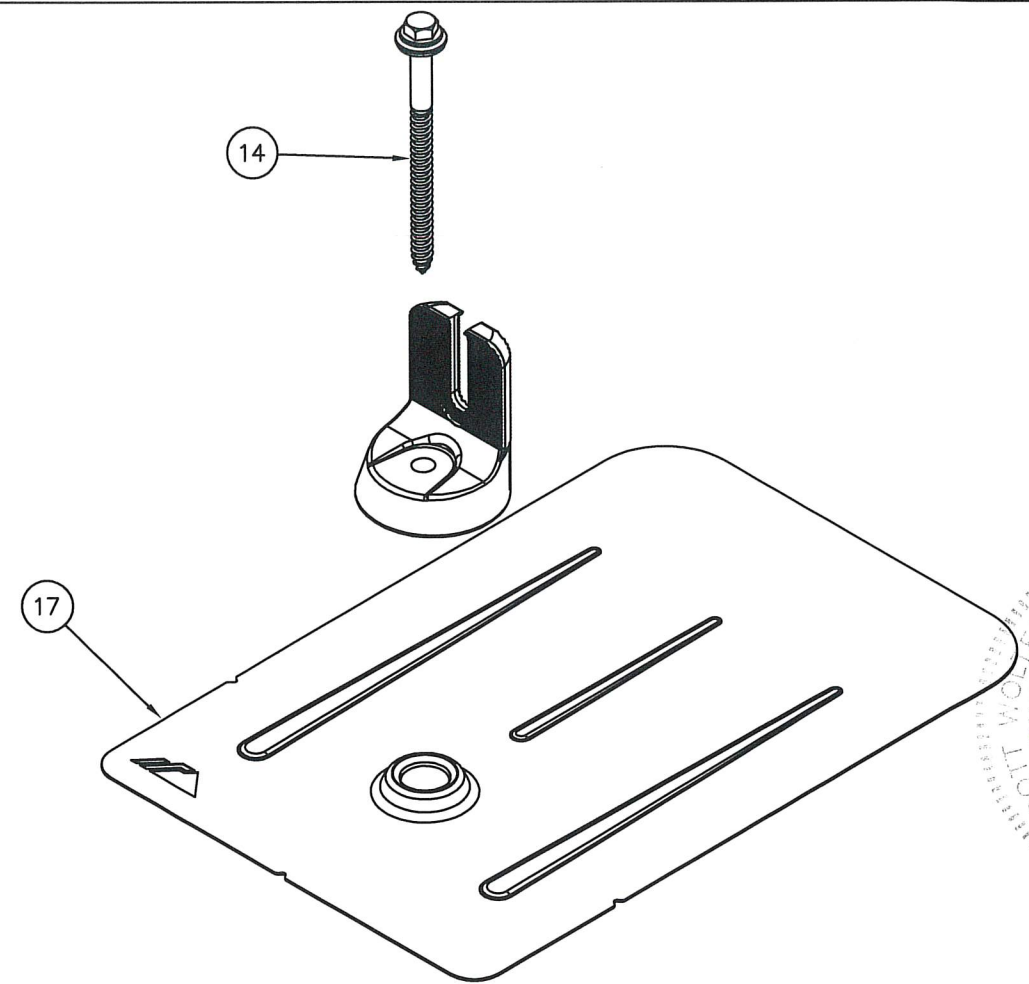
0.379"



F3 = 304 lb (max)
(Shear-Weak Axis)

ANCHOR NOTES:

- CAPACITIES APPLY TO RAFTER SIZER OF 2x4 OR GREATER, DECK THICKNESS OF 15/32" OR GREATER, AND LAG BOLTS SECURED WITHIN THE CENTER 1/3 OF RAFTER WITH 2 1/2" MIN. END DISTANCE.
- SHEAR VALUES ARE THE SAME FOR ALL SPECIFIC GRAVITY VALUES LISTED IN THE CHART.

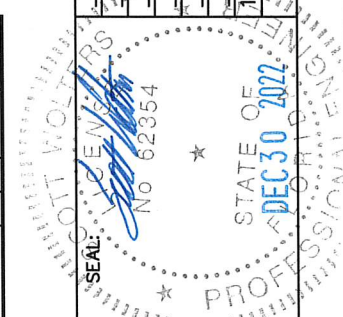


SCOTT WOLTERS FL PE# 62354	WOLTERS ENGINEERING (COA# 27194) 15211 97TH ROAD N WEST PALM BEACH, FL 33412 (561) 225-1982	28357 INDUSTRIAL BLVD. HAYWARD, CA 94545	PHONE: (800) 227-9523 info@ironridge.com
DWG: AIRE-FV SHEET: 7/11		1ST SUBMITTAL PRINTS ISSUED FOR	
REV #	DATE		
-	12/30/22		

**IRONRIDGE AIRE PHOTOVOLTAIC PANEL RACKING SYSTEM
WITH IRONRIDGE FLASHVUE ROOF ATTACHMENTS**

ALLOWABLE WINDLOADS (+/- psf)

TWO RAIL SYSTEM									THREE RAIL SYSTEM								
PANEL WIDTH (in)	PANEL LENGTH (in)	ANCHOR SPAN (L) (in)	AIRE A1 RAIL			AIRE A2 RAIL			PANEL WIDTH (in)	PANEL LENGTH (in)	ANCHOR SPAN (L) (in)	AIRE A1 RAIL			AIRE A2 RAIL		
			ROOF RAFTER SPECIFIC GRAVITY			ROOF RAFTER SPECIFIC GRAVITY						ROOF RAFTER SPECIFIC GRAVITY			ROOF RAFTER SPECIFIC GRAVITY		
			SG=0.42	SG=0.43	SG=0.46	SG=0.42	SG=0.43	SG=0.46				SG=0.42	SG=0.46	SG=0.50	SG=0.42	SG=0.46	SG=0.50
45	67 1/2	16	89	92.2	102.0	89.0	92.2	102.0	45	67 1/2	16	133.5	138.3	153.0	133.5	138.3	153.0
		24	89	89.1	89.1	89.0	92.2	102.0			24	133.5	133.7	133.7	133.5	138.3	153.0
		32	79.9	79.9	79.6	89.0	92.2	102.0			32	119.9	119.9	119.4	133.5	138.3	153.0
		36	78.2	78.2	78.2	84.8	87.8	97.2			36	117.3	117.3	117.3	127.1	131.7	145.8
		48	64.5	64.5	64.5	79.5	82.3	91.1			48	96.8	96.8	96.8	119.2	123.5	136.7
		64	39.3	39.3	39.3	56.0	58.0	64.2			64	59.0	59.0	59.0	84.0	87.0	96.3
		72	31.3	31.3	31.3	48.7	50.5	54.0			72	47.0	47.0	47.0	73.1	75.8	81.0
	80	16	75.1	77.8	86.1	75.1	77.8	86.1	45	80	16	112.7	116.7	129.2	112.7	116.7	129.2
		24	75.1	75.2	75.2	75.1	77.8	86.1			24	112.7	112.8	112.8	112.7	116.7	129.2
		32	67.2	67.2	67.2	75.1	77.8	86.1			32	100.8	100.8	100.8	112.7	116.7	129.2
		36	66	66	66.0	71.5	74.1	82.0			36	99.0	99.0	99.0	107.3	111.1	123.0
		48	54.4	54.4	54.4	67.1	69.5	76.9			48	81.6	81.6	81.6	100.6	104.2	115.3
		64	33.2	33.2	33.2	47.3	49.0	54.0			64	49.8	49.8	49.8	71.0	73.5	81.0
		72	26.4	26.4	26.4	41.1	42.6	45.6			72	39.6	39.6	39.6	61.7	63.9	68.4
	86	16	69.9	72.4	80.1	69.9	72.4	80.1	45	86	16	104.9	108.6	120.2	104.9	108.6	120.2
		24	69.9	70	70.0	69.9	72.4	80.1			24	104.9	105.0	105.0	104.9	108.6	120.2
		32	62.5	62.5	62.5	69.9	72.4	80.1			32	93.8	93.8	93.8	104.9	108.6	120.2
		36	61.4	61.4	61.4	66.5	68.9	76.3			36	92.1	92.1	92.1	99.8	103.4	114.4
		48	50.6	50.6	50.6	62.4	64.6	71.5			48	75.9	75.9	75.9	93.6	96.9	107.3
		64	30.9	30.9	30.9	44.0	45.6	50.4			64	46.4	46.4	46.4	66.0	68.4	75.6
		72	24.5	24.5	24.5	38.3	39.6	42.4			72	36.8	36.8	36.8	57.5	59.4	63.6
	92 1/2	16	64.9	67.3	74.5	64.9	67.3	74.5	45	92 1/2	16	97.4	101.0	111.8	97.4	101.0	111.8
		24	64.9	65	65.0	64.9	67.3	74.5			24	97.4	97.5	97.5	97.4	101.0	111.8
		32	58.1	58.1	58.1	64.9	67.3	74.5			32	87.2	87.2	87.2	97.4	101.0	111.8
36		57.1	57.1	57.1	61.9	64.1	70.9	36			85.7	85.7	85.7	92.8	96.1	106.4	
48		47	47	47.0	58.0	60.1	66.5	48			70.5	70.5	70.5	87.0	90.1	99.7	
64		28.7	28.7	28.7	40.9	42.3	46.9	64			43.1	43.1	43.1	61.4	63.5	70.4	
72		22.8	22.8	22.8	35.6	36.8	39.4	72			34.2	34.2	34.2	53.4	55.2	59.1	
LANDSCAPE LAYOUT:																	
45	92 1/2	16	64.9	67.3	74.5	64.9	67.3	74.5	45	92 1/2	16	97.4	100.95	111.75	97.4	101.0	111.8
		24	64.9	67.3	71.2	64.9	67.3	74.5			24	97.4	100.95	106.8	97.4	101.0	111.8
		32	55.3	55.3	55.3	64.9	67.3	74.5			32	83.0	82.95	82.95	97.4	101.0	111.8
		36	48.4	48.4	48.4	61.9	64.1	70.9			36	72.6	72.6	72.66	92.8	96.1	106.4
		48	32.2	32.2	32.2	54.6	64.1	54.6			48	48.3	48.3	48.3	81.9	96.1	81.9
		64	28.4	28.4	28.4	48.4	64.1	48.4			64	42.6	42.6	42.6	72.6	96.1	72.6
72	27.7	27.7	27.7	48.4	64.1	48.4	72	41.6	41.55	41.55	72.6	96.1	72.6				



SCOTT WOLTERS
FL PE# 62354
WOLTERS ENGINEERING
(COA# 27194)
15211 97TH ROAD N
WEST PALM BEACH, FL 33412
(561) 225-1982



28357 INDUSTRIAL BLVD.
HAYWARD, CA 94545
PHONE: (800) 227-9523
info@ironridge.com

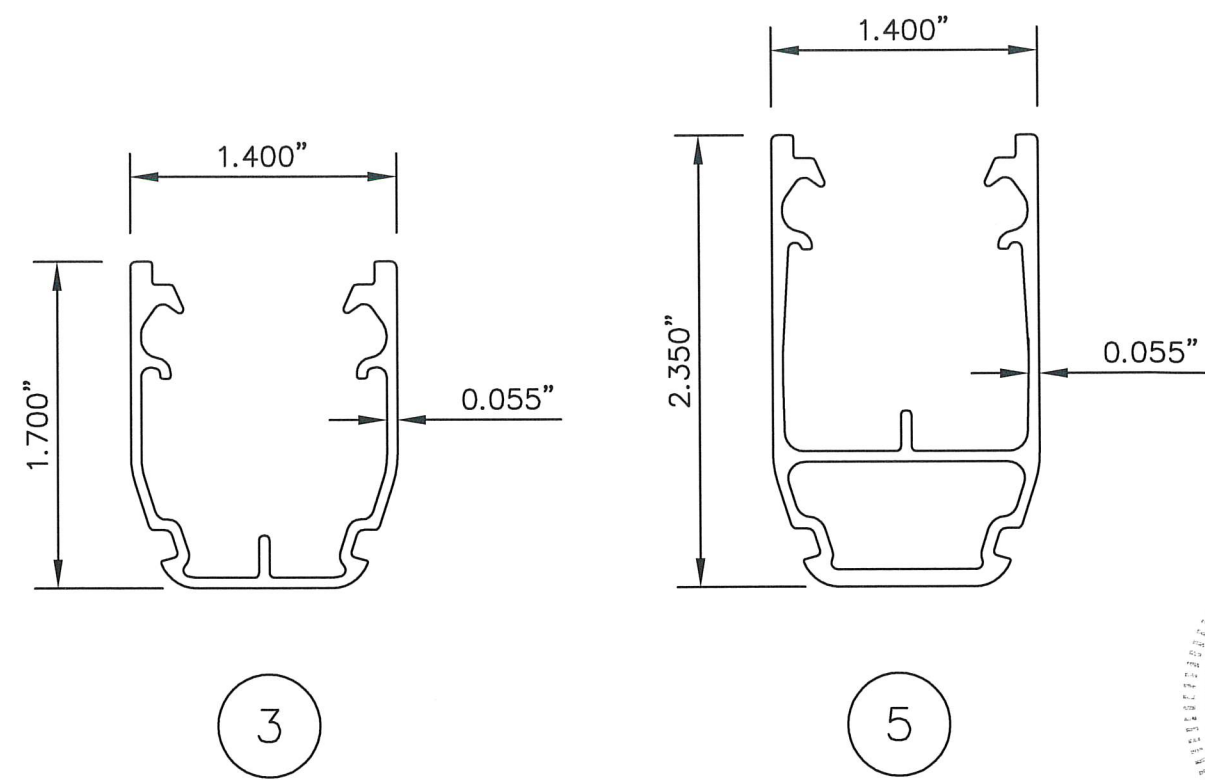
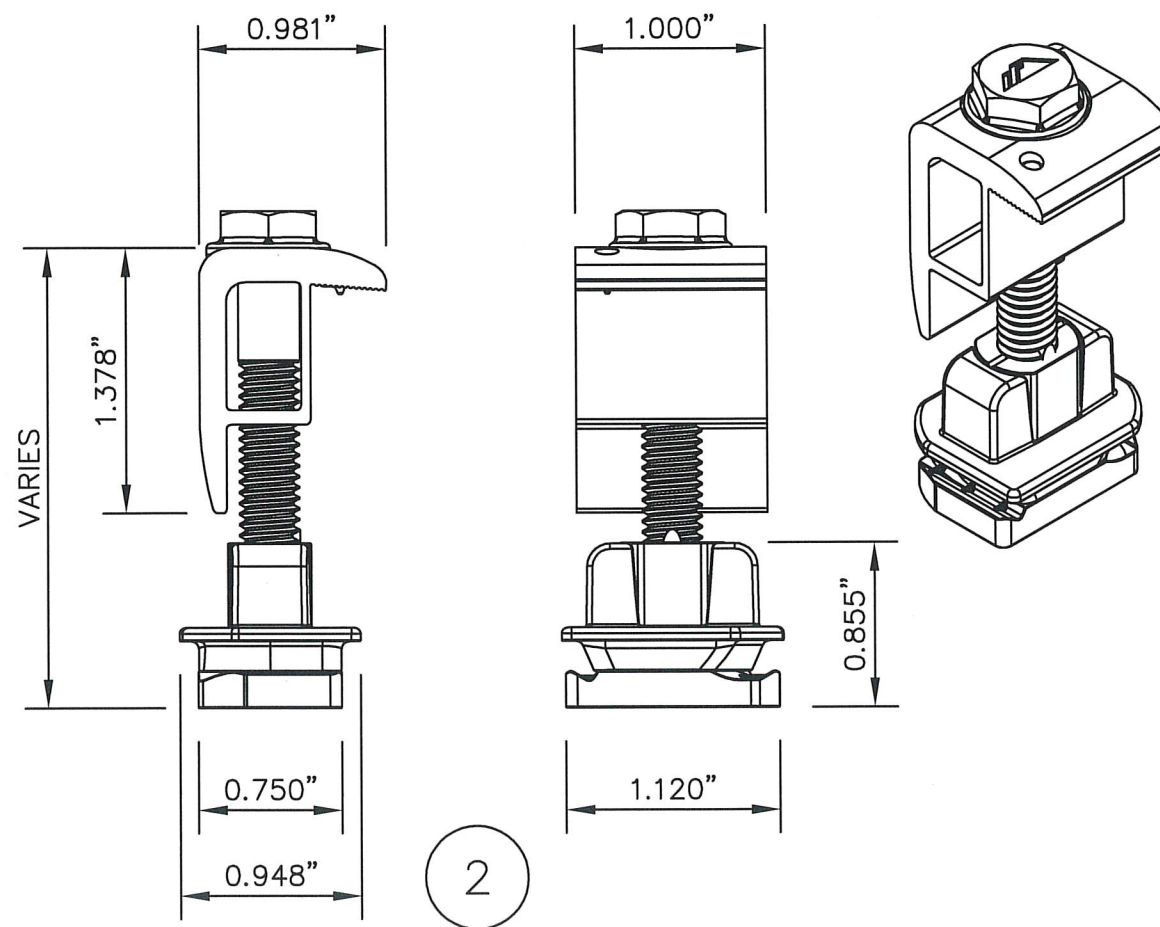
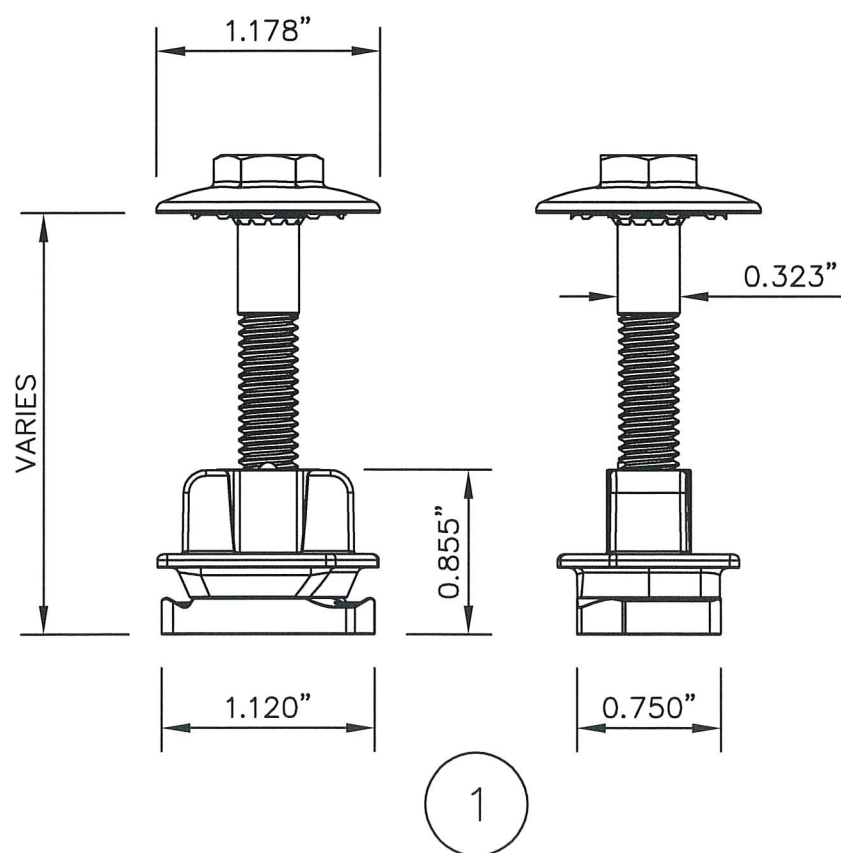
DWG: AIRE-FV
SHEET: 8/11

REV#	DATE
1	12/30/22
2	
3	
4	
5	
6	
7	
8	
9	
10	

IRONRIDGE AIRE PHOTOVOLTAIC PANEL RACKING SYSTEM WITH IRONRIDGE FLASHVUE ROOF ATTACHMENTS

BILL OF MATERIALS- Aire System		
#	DESCRIPTION	MATERIALS/NOTES
1	AIRE LOCK MID-CLAMP ASSEMBLY	6000 SERIES AL & 300 SERIES SS
2	AIRE LOCK END-CLAMP ASSEMBLY	6000 SERIES AL & 300 SERIES SS
2A	AIRE LOCK STEALTH END-CLAMP ASSEMBLY	6000 SERIES AL & 300 SERIES SS
3	A1 RAIL	6000 SERIES AL
4	A1 TIE (SPLICE)	6000 SERIES AL & 300 SERIES SS
5	A2 RAIL	6000 SERIES AL
6	A2 TIE (SPLICE)	6000 SERIES AL & 300 SERIES SS
7	AIRE RAIL DOCK ASSEMBLY WITH 3/8" X 1 3/4" HWH CAP SCREW	6000 SERIES AL & 300 SERIES SS
8	A1 END CAP (OPTIONAL)	POLYMERIC
9	A2 END CAP (OPTIONAL)	POLYMERIC
10	CONTOUR CLAMP ASSEMBLY (OPTIONAL)	6000 SERIES AL & 300 SERIES SS
11	CONTOUR TRIM (OPTIONAL)	6000 SERIES AL

FOR 6000 SERIES EXTRUSIONS $F_{UT}=38$ ksi min, $F_Y=34$ ksi min.
FOR 300 SERIES STAINLESS STEEL $F_Y=65$ ksi min



SEAL: SCOTT WOLTERS
FL PE# 62354
No. 02354

STATE OF FLORIDA
REGISTERED PROFESSIONAL ENGINEER
DEC 30 2022

1ST SUBMITTAL
PRINTS ISSUED FOR

REV.#	DATE
1	12/30/22

SCOTT WOLTERS
FL PE# 62354

WOLTERS ENGINEERING
(CO.# 27194)
15211 97TH ROAD N
WEST PALM BEACH, FL 33412
(561) 225-1982

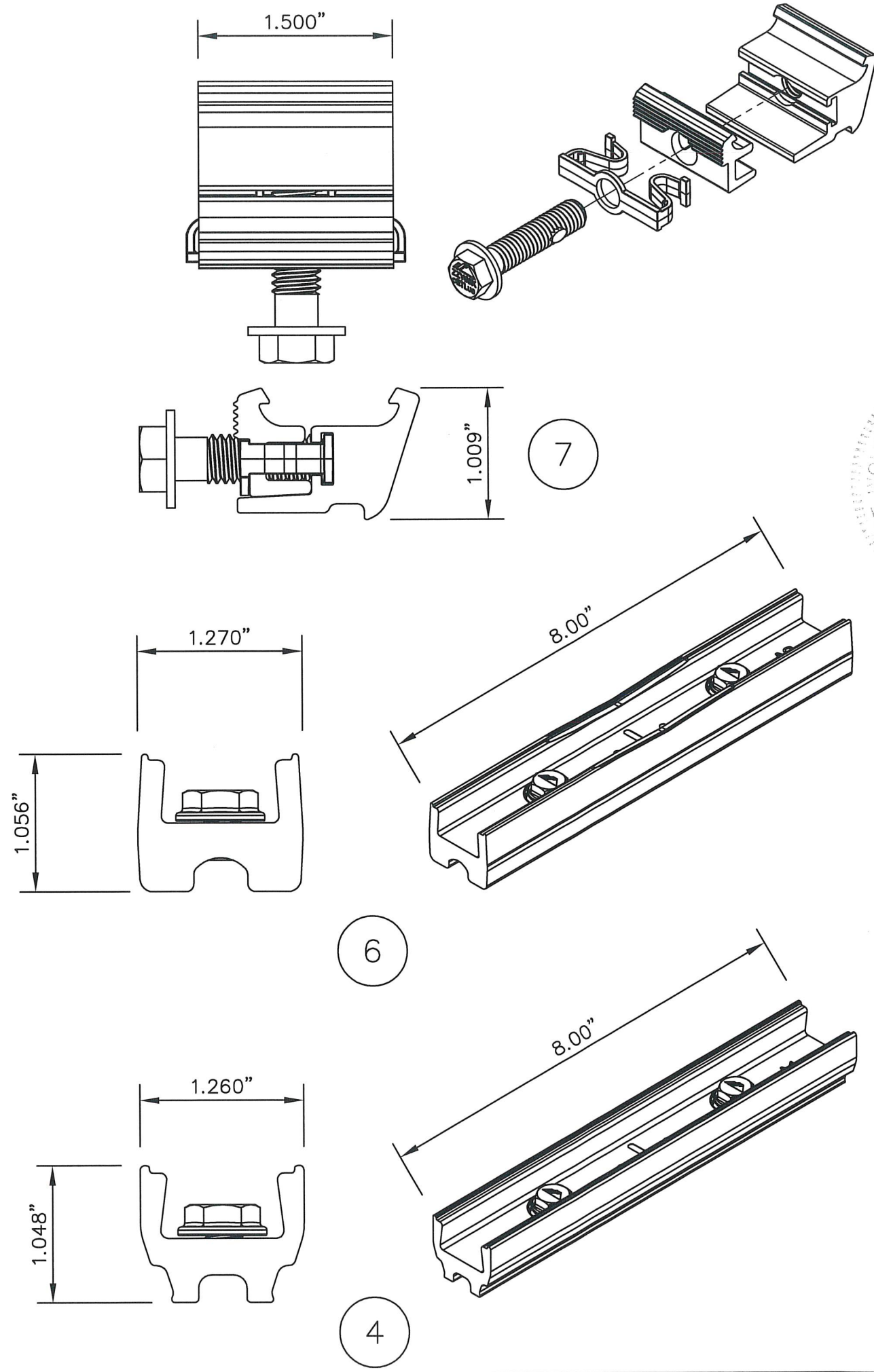
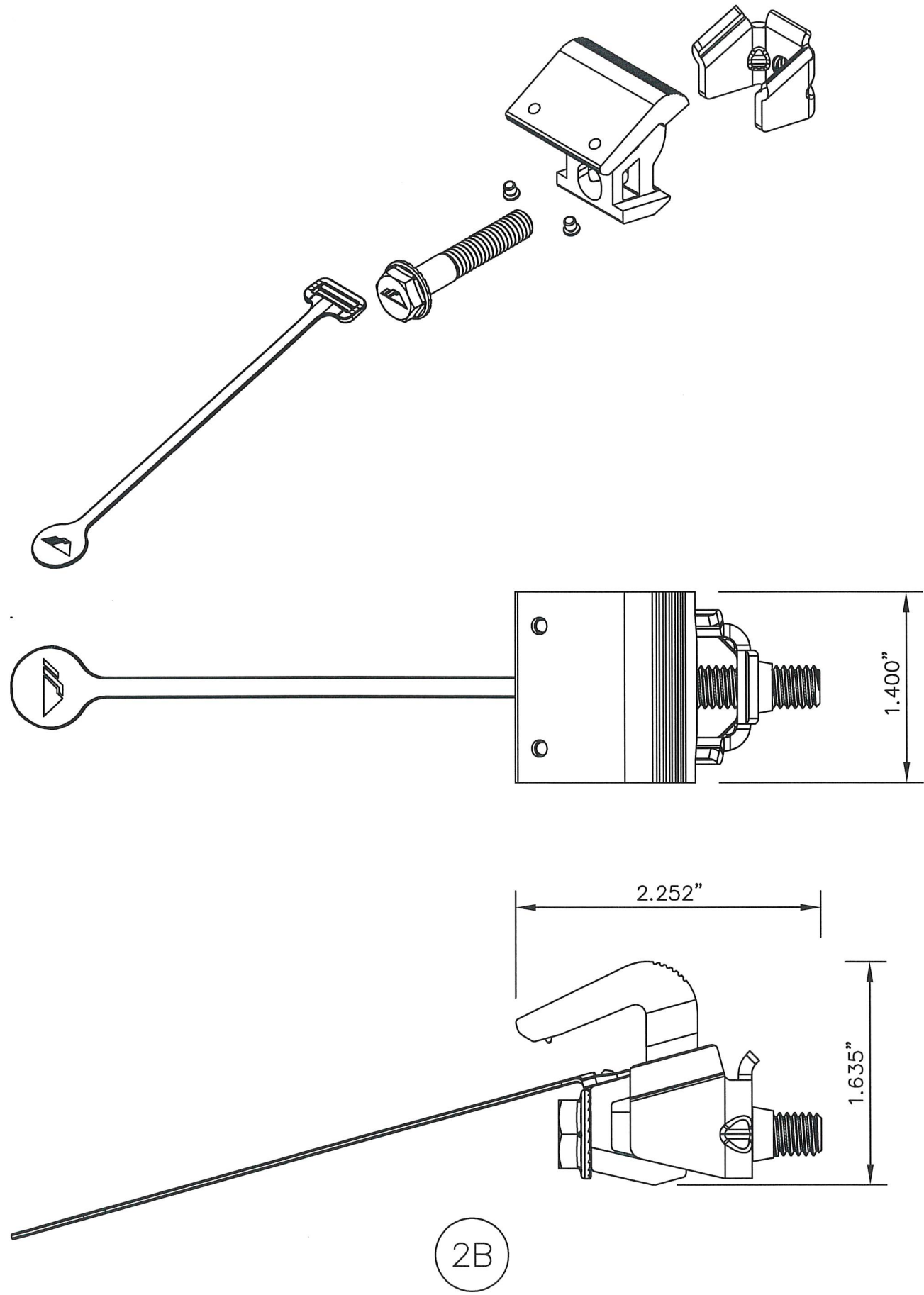
IRONRIDGE

28357 INDUSTRIAL BLVD.
HAYWARD, CA 94545

PHONE: (800) 227-9523
info@ironridge.com

DWG: AIRE-FV
SHEET: 9/11

**IRONRIDGE AIRE PHOTOVOLTAIC PANEL RACKING SYSTEM
WITH IRONRIDGE FLASHVUE ROOF ATTACHMENTS**



IRONRIDGE

28357 INDUSTRIAL BLVD.
HAYWARD, CA 94545

PHONE: (800) 227-9523
info@ironridge.com

DWG: **AIRE-FV**
SHEET: **10/11**

SCOTT WOLTERS
FL PE# 62354

WOLTERS ENGINEERING
(COA# 27194)
15211 97TH ROAD N
WEST PALM BEACH, FL 33412
(561) 225-1982

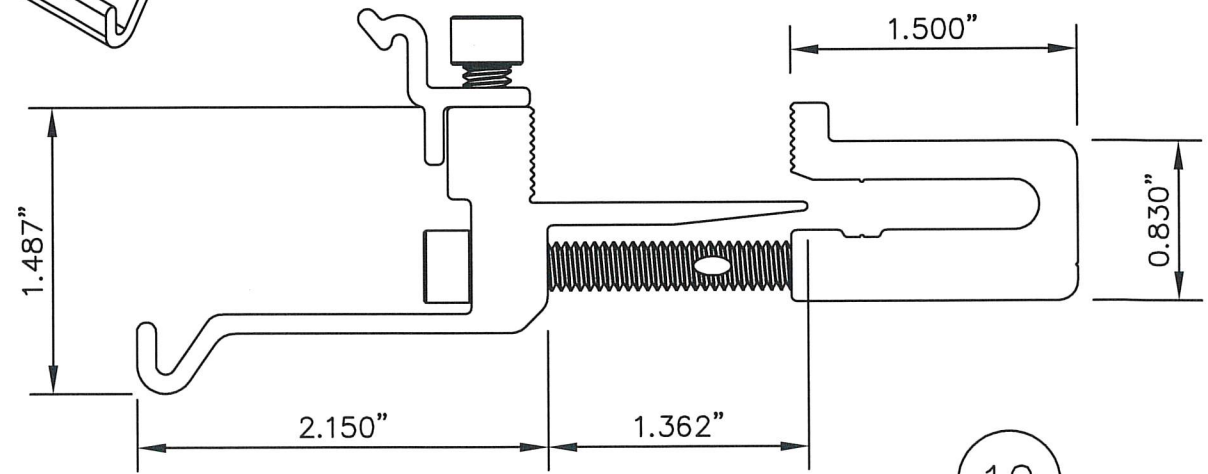
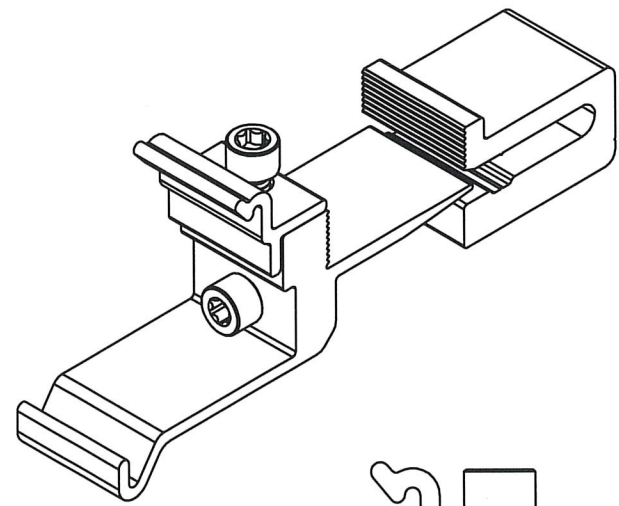
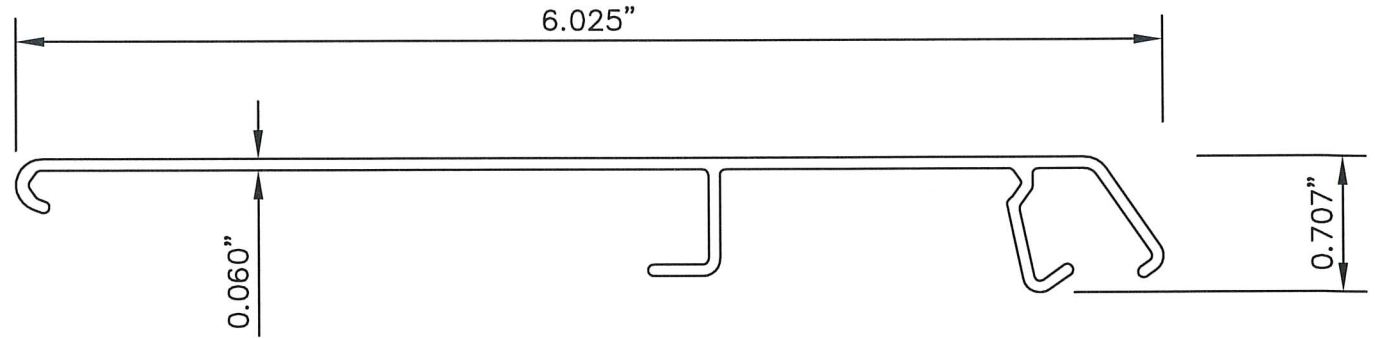
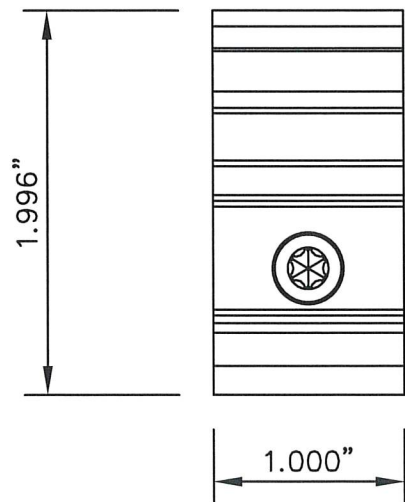
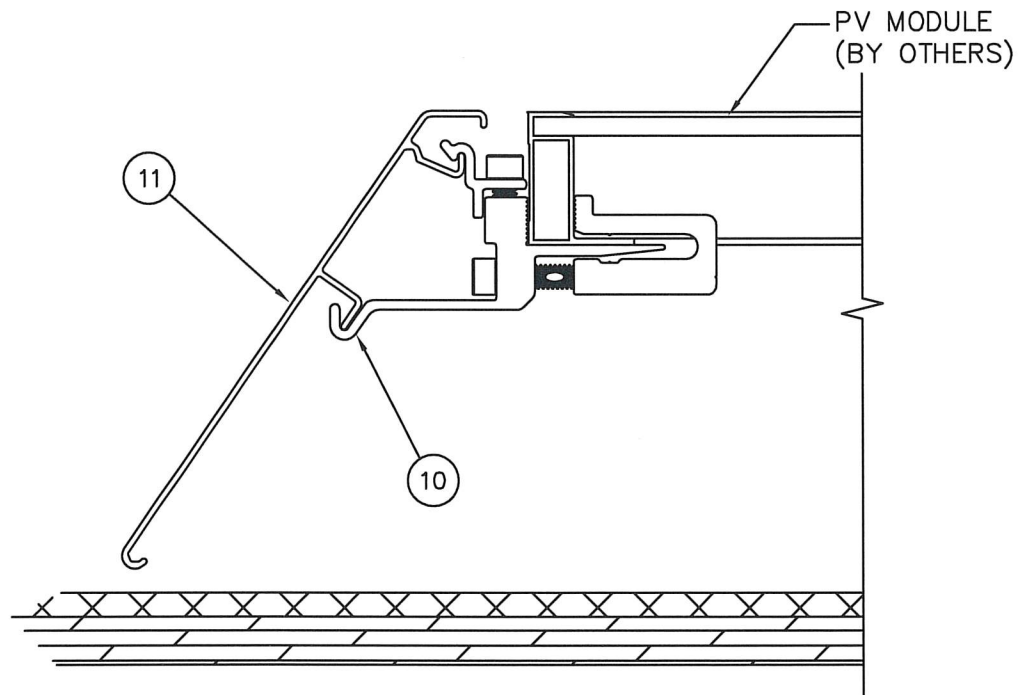
SEAL: [Signature]
No 62354

STATE OF FLORIDA
PROFESSIONAL ENGINEER
DEC 30 2022

REV #	DATE	ISSUED FOR
1	12/30/22	1ST SUBMITTAL
2		PRINTS
3		ISSUED FOR

**IRONRIDGE AIRE PHOTOVOLTAIC PANEL RACKING SYSTEM
WITH IRONRIDGE FLASHVUE ROOF ATTACHMENTS**

OPTIONAL CONTOUR TRIM:



		DWG: AIRE-FV SHEET: 11/11
28357 INDUSTRIAL BLVD. HAYWARD, CA 94545 PHONE: (800) 227-9523 info@ironridge.com		SCOTT WOLTERS FL PE# 62354 WOLTERS ENGINEERING (COA# 27194) 15211 97TH ROAD N WEST PALM BEACH, FL 33412 (561) 225-1982
SEAL: [Signature] No. 62354 STATE OF FLORIDA PROFESSIONAL ENGINEER DEC 30 2022		TST SUBMITTAL PRINTS ISSUED FOR REV.# DATE 12/30/22